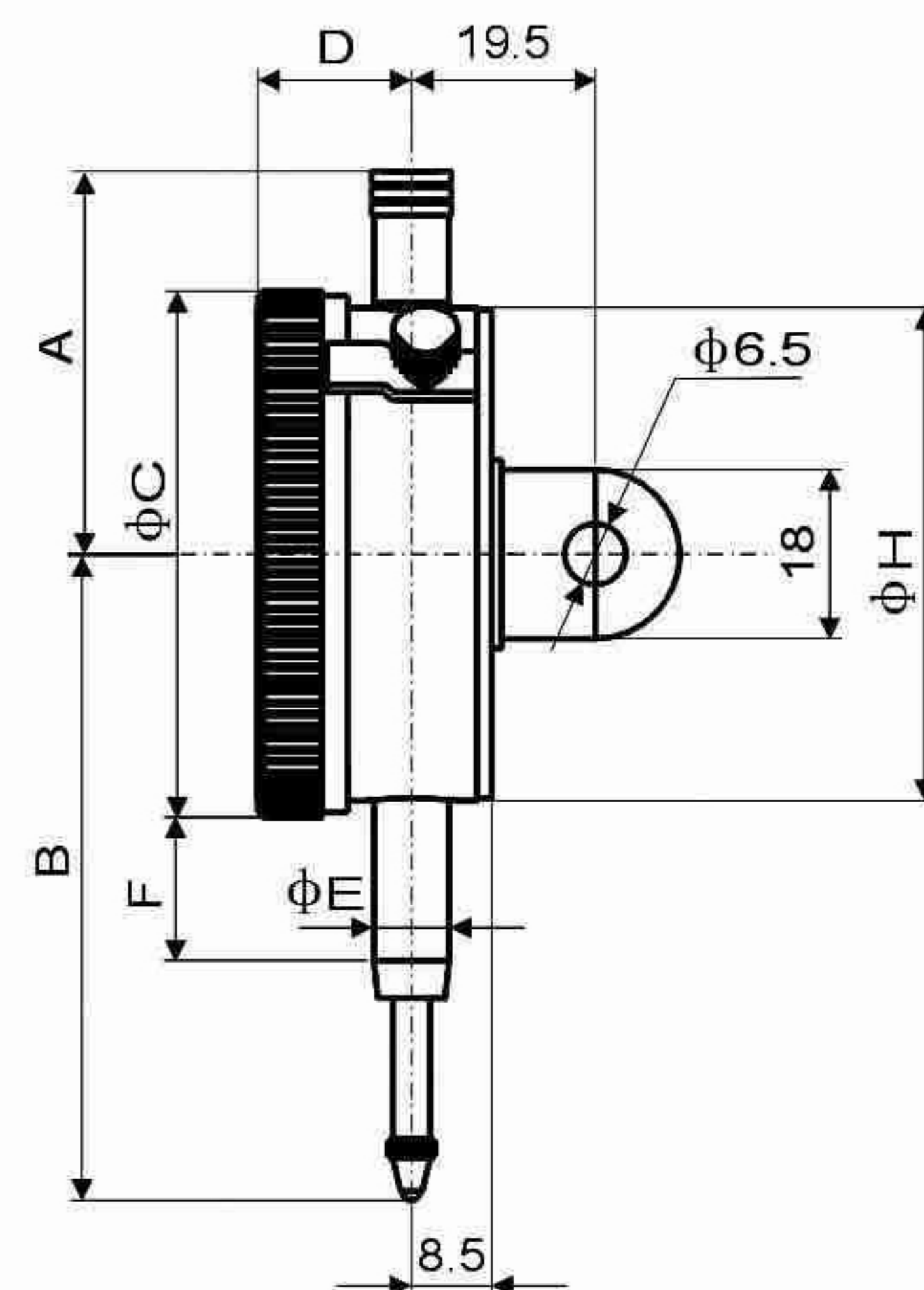
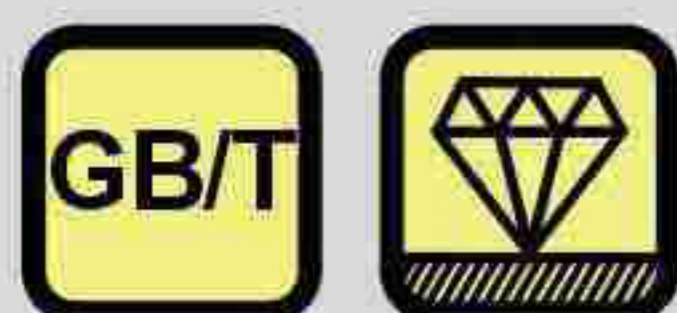


**偏差指示表 Variation Dial Gauges**



货号后加D为带耳后盖  
D (With Back Lug)

**321-813LT**

**321-814LT**

**主要特点:**

- 量杆由淬硬不锈钢制成
- 结构设计合理
- 用于对称偏差指示

**FEATURES**

- Spindle is made of hardened stainless steel
- Proper design of mechanism
- For balanced dial variation indicators

货号 NO.	分度值 Readings mm	测量范围 Measuring mm
321-812	0.01	0.8
321-811	0.01	0.4
321-831	0.01	0.8
321-832	0.01	1.8
321-813LT	0.01	0.9
321-814LT	0.01	0.9
321-814-1LT	0.01	0.9
321-813-1LT	0.01	0.9
321-811LT	0.01	0.4

货号 NO.	表盘读数 Dial reading mm	A mm	B mm	ΦC mm	D mm	ΦE mm/inch	F mm	ΦH mm	表圈外径 Ring diameter mm
321-812	40-0-40	36	47.5	41	14	8	14.5	35	Φ41
321-811	20-0-20	36	47.5	41	14	8	14.5	35	Φ41
321-831	40-0-40	44	70	60	15.5	8	16.5	52	Φ60
321-832	90-0-90	44	70	55	15.5	8	16.5	52	Φ55
321-813LT	45-0-45	35	54	43	14	8	15		Φ43
321-814LT	45-0-45	41.5	68.5	61	14.8	8	13		Φ61
321-814-1LT	45-0-45	41.5	68.5	61	14.8	8	13		Φ61
321-813-1LT	45-0-45	35	54	43	14	8	15		Φ43
321-811LT	20-0-20	35	54	43	14	8	15		Φ43

货号 NO.	备注 Remark
321-812	LB213(3.5.8.)
321-811	LB215(3.5.8.)
321-831	LB211.2(3.5.8.)
321-832	LB214(3.5.8.)
321-813LT	SC44 ANT(2.10.)
321-814LT	SC64 ANT(2.10.)
321-814-1LT	SC64 ANT 4Fori(2.10.)后盖四孔 (Back with four holes)
321-813-1LT	SC44 ANT 4Fori(2.10.)后盖四孔 (Back with four holes)
321-811LT	SC425 ANT 4Fori(2.10.)后盖四孔 (Back with four holes)

1. 铝壳体 (Aluminium shell) 2. 铝壳体喷漆 (Aluminium shell lacquer cover) 3. 钢壳体镀铬 (Steel shell chromium cover) 4. 黑色表圈 (Black ring) 5. 不可动防尘帽 (Dustproof cap can not be moved) 6. 可动防尘帽 (Dustproof cap can be moved) 7. 止动压板 (Stop flat) 8. 内公差指示器 (Inside tolerance indicator) 9. 外公差指示器 (Outside tolerance indicator) 10. 防震 (Shock proof) 11. 带钻 (Jeweled) 12. 下轴套防水、防尘 (Lower part sleeve dustproof and waterproof) 13. 双面读数 (Double readout) 14. 转数指针在左上方 (Count pointer on left-above) 15. 带提升机构 (Elevator mechanism) 16. 无防尘帽 (Without dustproof cap) 17. 螺钉止动 (Stop screw)